

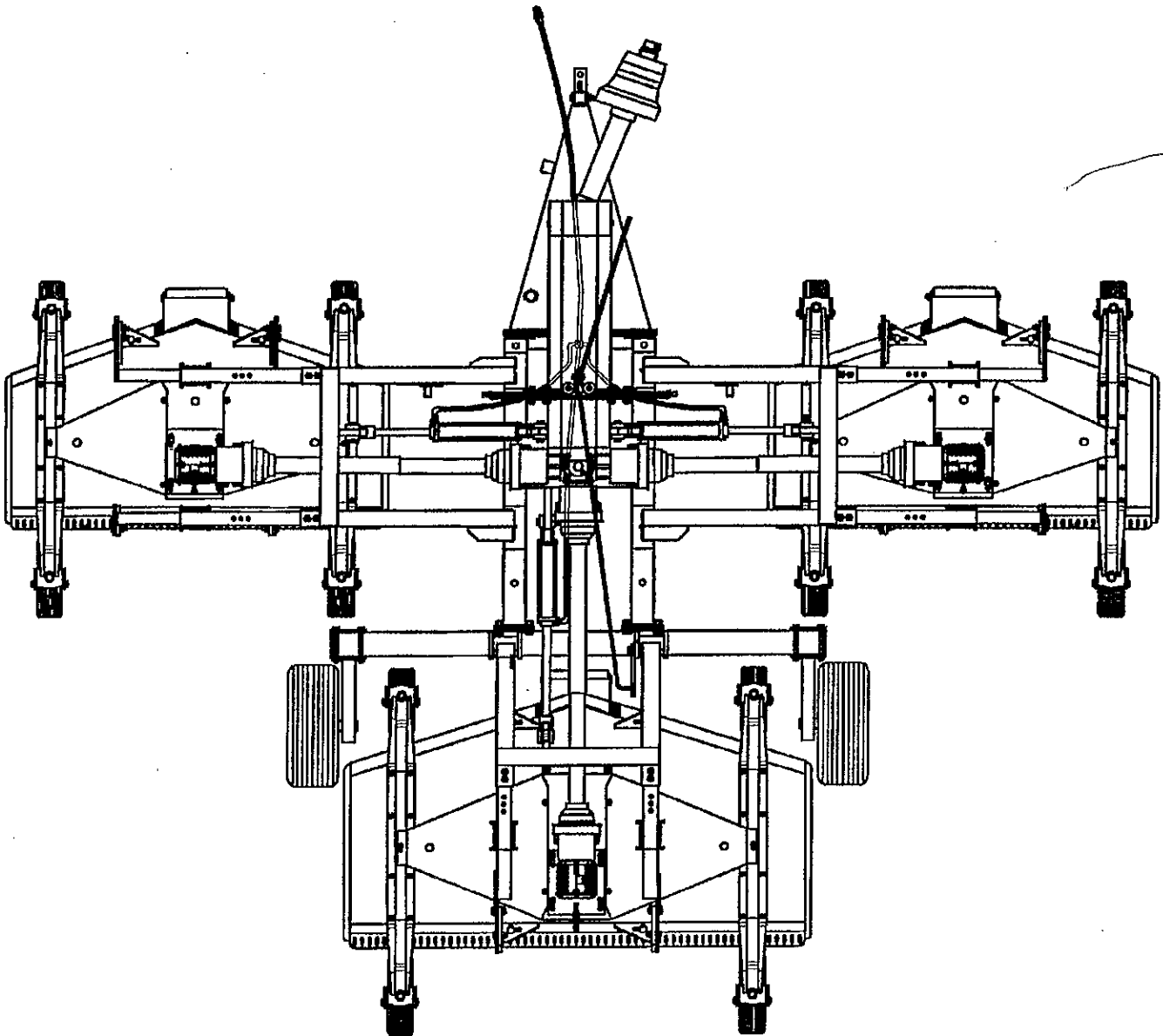
# BEFCO

## Parts Manual

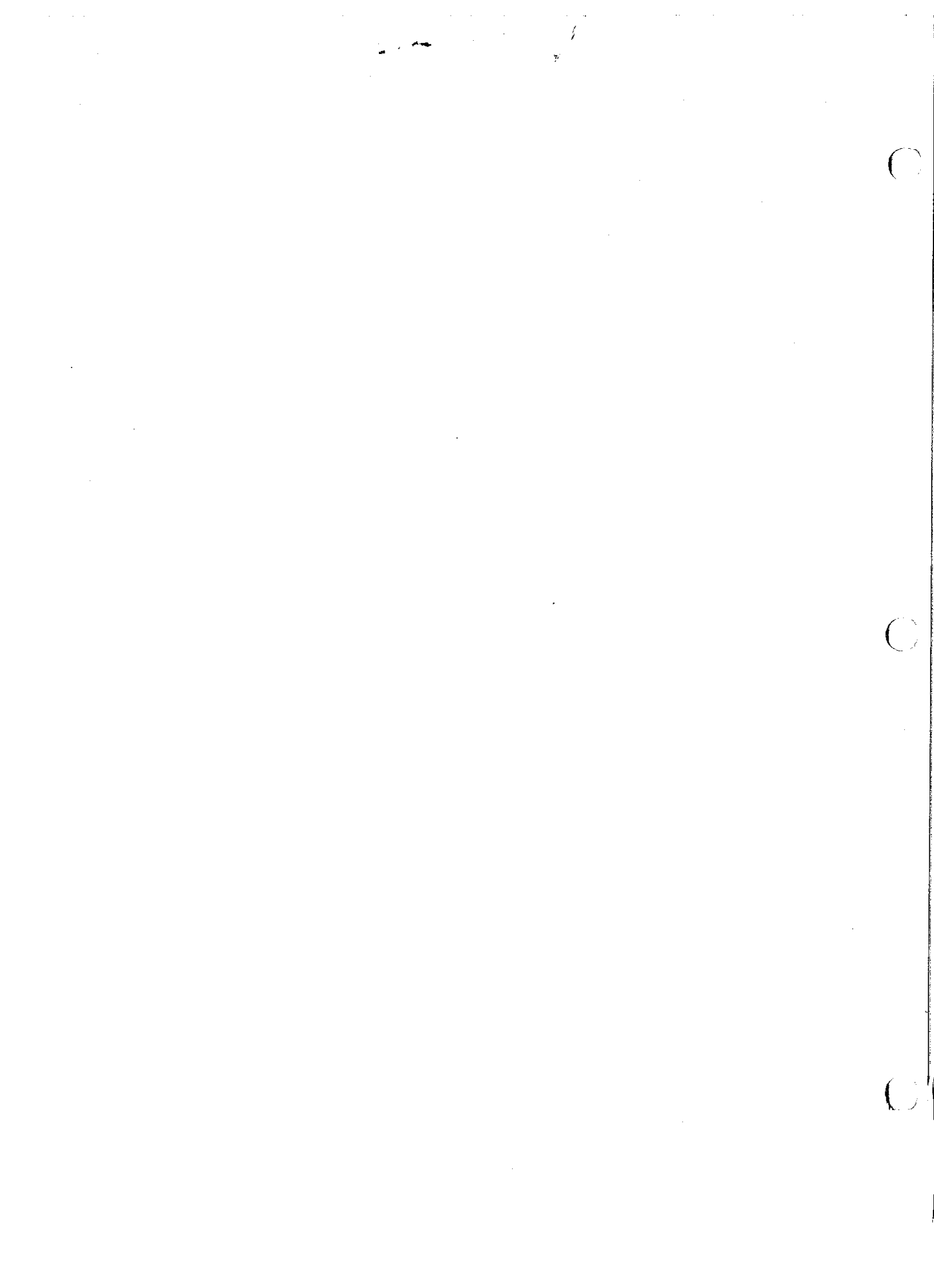
### **CYCLONE SUPER-FLEX**

Tri-wing Grooming Mower

**Series 417/420**



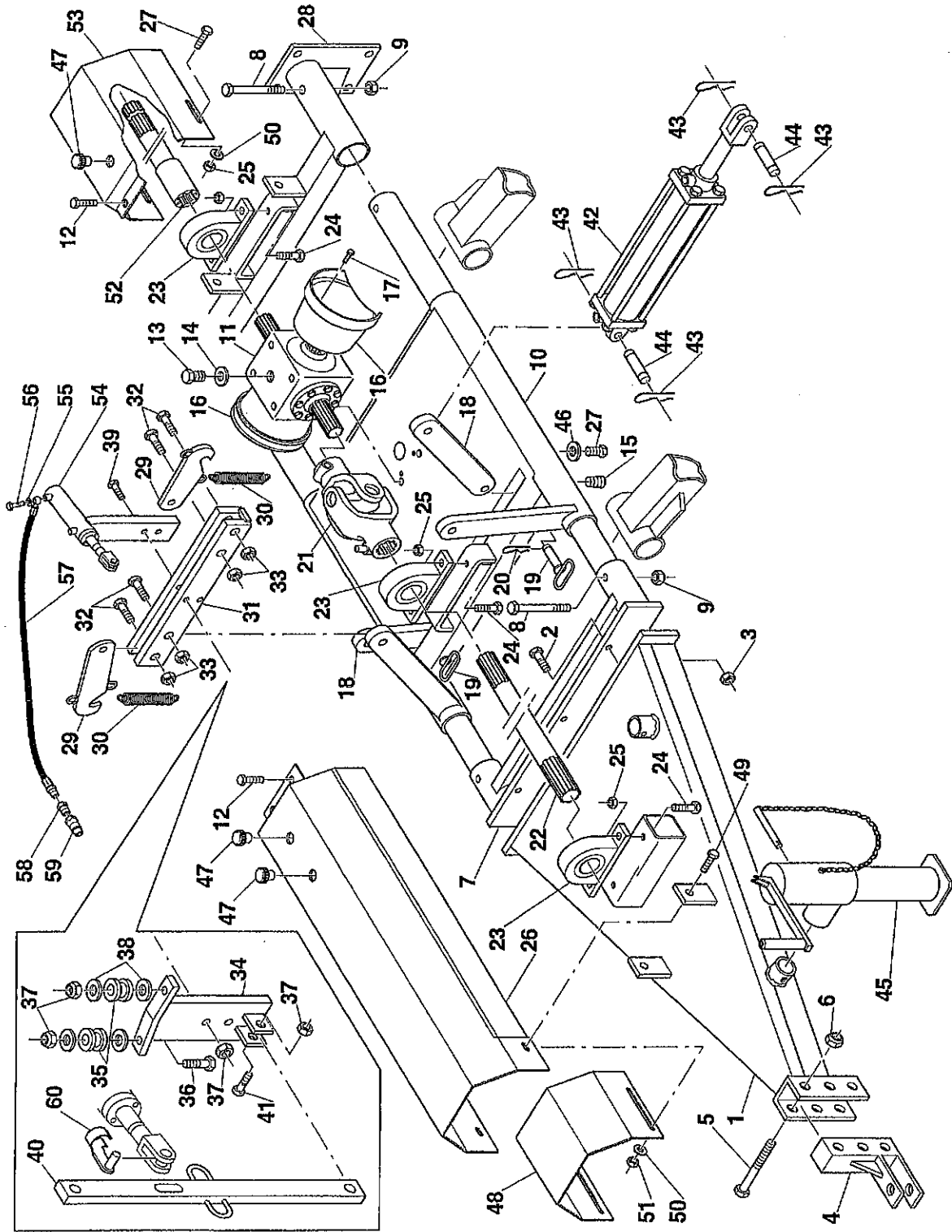
Edition: May 2002

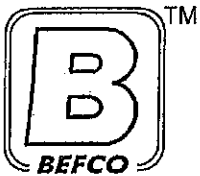






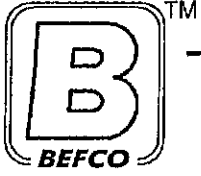
BEFCO Cyclone  
"Super Flex" Frame



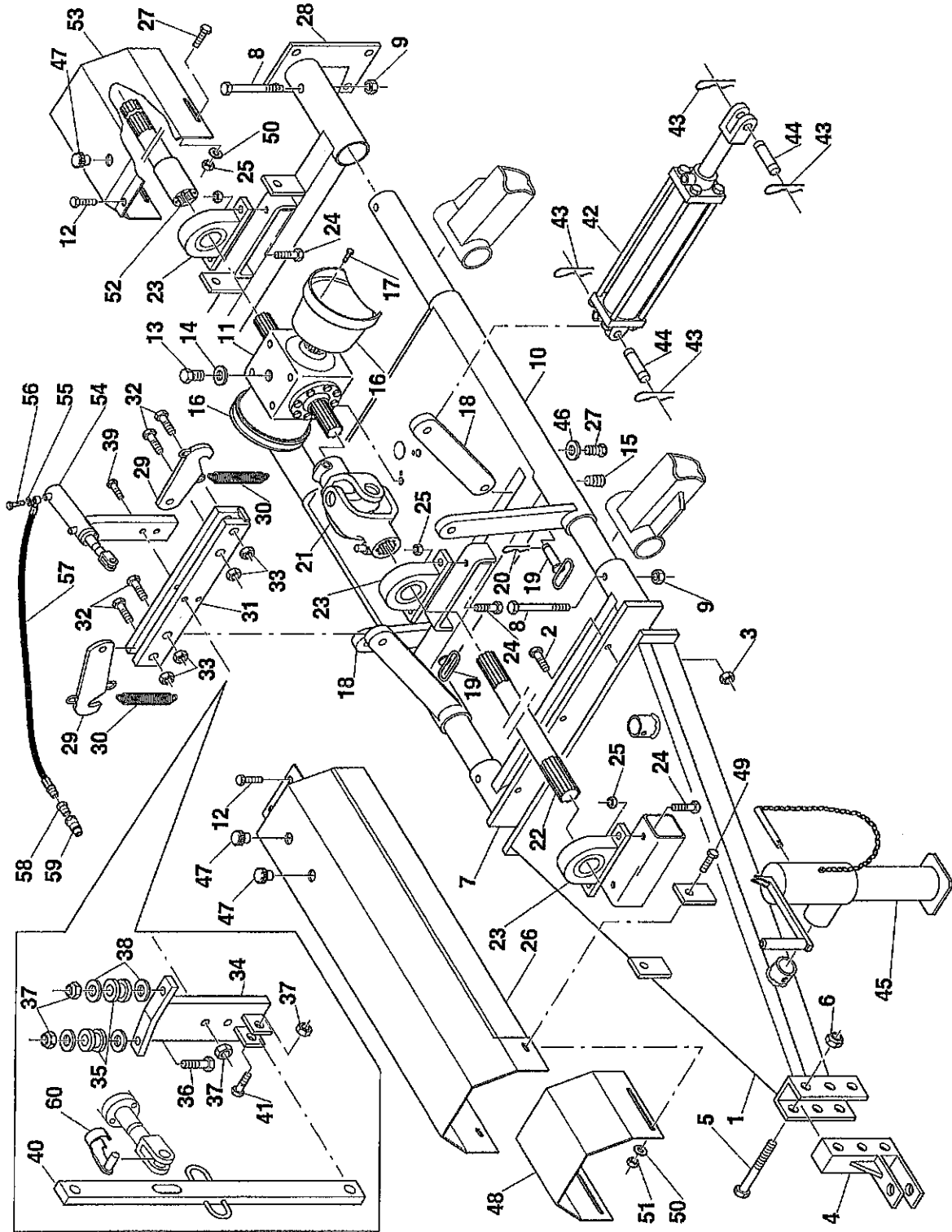


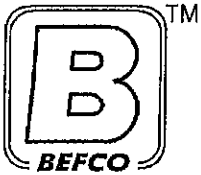
BEFCO Cyclone  
"Super Flex" Frame

ITEM#	PART#	DESCRIPTION	QTY.
1	0027010	DRAWBAR	1
2	0041814	BOLT 18X55	12
3	0017506	NUT 18MM	12
4	0058031	FRONT HITCH	1
5	0037368	BOLT 14X120	3
6	0001019	NUT 14MM	3
7	0023521	CENTRAL FRAME HITCH	1
8	0023574	BOLT 16X120	4
9	0002370	NUT 16MM	4
10	0023551	MAIN FRAME	1
11	0500617	COMPLETE GEARBOX	1
12	0064648	BOLT 12X20	2
13	0001107	BREATHER CAP	1
14	0006691	GASKET	1
15	0053446	CAP	1
16	0008663	SHAFT PROTECTION	2
17	0006349	BOLT 10X20	8
18	0009173	HITCH PLATE	2
19	0009201	PIN	2
20	0091507	COTTER PIN 4MM	2
21	0009264	JOINT	1
22	0023761	INPUT SHAFT	1
23	0009223	PILLOW BLOCK BEARING UCP 207	3
24	0037349	BOLT 14X45	6
25	0030358	NUT METAL 14MM	4
26	0023640	PROTECTION	1
27	0015255	BOLT 12X30	8
28	0027090	REAR HITCH	1
29	0009721	TRANSPORT HOOK	3
30	0008586	SPRING	3
31	0023661	HOOK SUPPORT PLATE	1
32	0073513	BOLT 16X60	4
33	0005581	NUT 16MM DIN 980	4
34	0009731	ROPE GUIDE BRACKET	1
35	0009476	PULLEY	2



BEFCO Cyclone  
"Super Flex" Frame



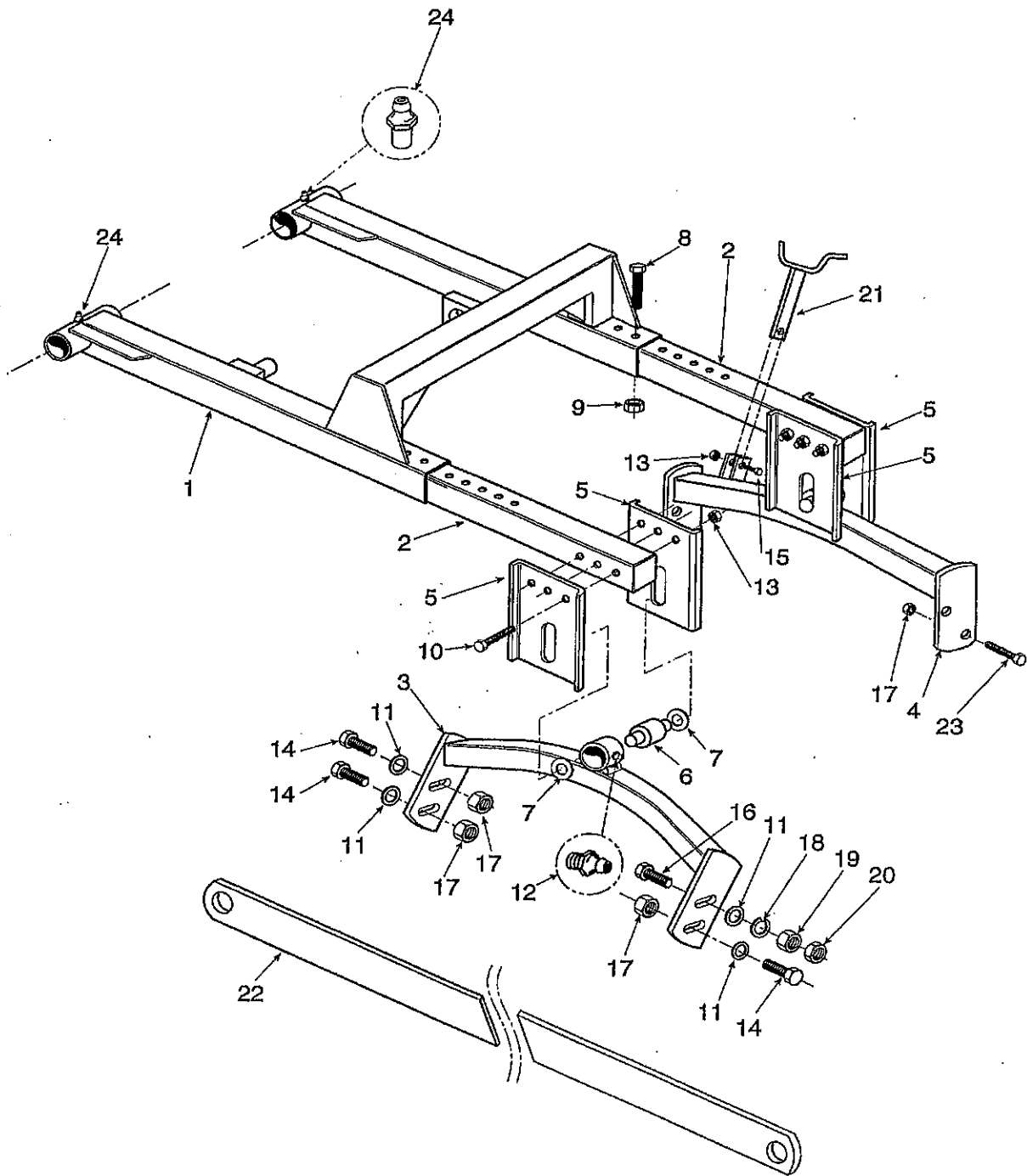


BEFCO Cyclone  
"Super Flex" Frame

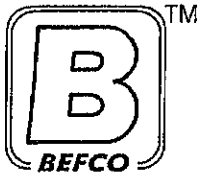
ITEM#	PART#	DESCRIPTION	QTY.
36	0030334	BOLT 10X55	2
37	0030156	NUT 10MM	5
38	0002034	FLAT WASHER	12
39	0015236	BOLT 10X80	2
40	0009737	HANDLE	1
41	0038614	BOLT 10X40	1
42	503-034B	HYDRAULIC CYLINDER	3
43	502-172B	PIN	12
44	502-171B	PIN	6
45	502-098B	STAND	1
46	0001077	SPRING WASHER 12MM	4
47	0006647	CAP	4
48	0023639	SHAFT PROTECTION(EC ONLY)	1
49	0003037	BOLT 12X25	2
50	0076106	FLAT WASHER 12MM	4
51	0094139	LOCKING NUT	2
52	0027367	INPUT SHAFT	1
53	0027251	SHAFT PROTECTION	
54	0023962	HYDRAULIC CYLINDER	1
55	0057114	COPPER WASHER	1
56	0057113	BENJO BOLT	1
57	0057111	FRONT TUBE	1
58	0041873	NIPPLE	1
59	0041871	QUICK CONNECTOR	1
60	0023964	JACK FIXING PIN	1
61	0001020	SPRING WASHER	7
62	0091435	FLAT WASHER	6
63	0001019	NUT 14MM	4
64	0001279	NUT 10MM	2
65	0002366	NUT 16MM	2



BEFCO Cyclone  
"Super Flex" Lift Section

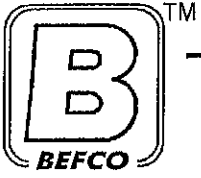




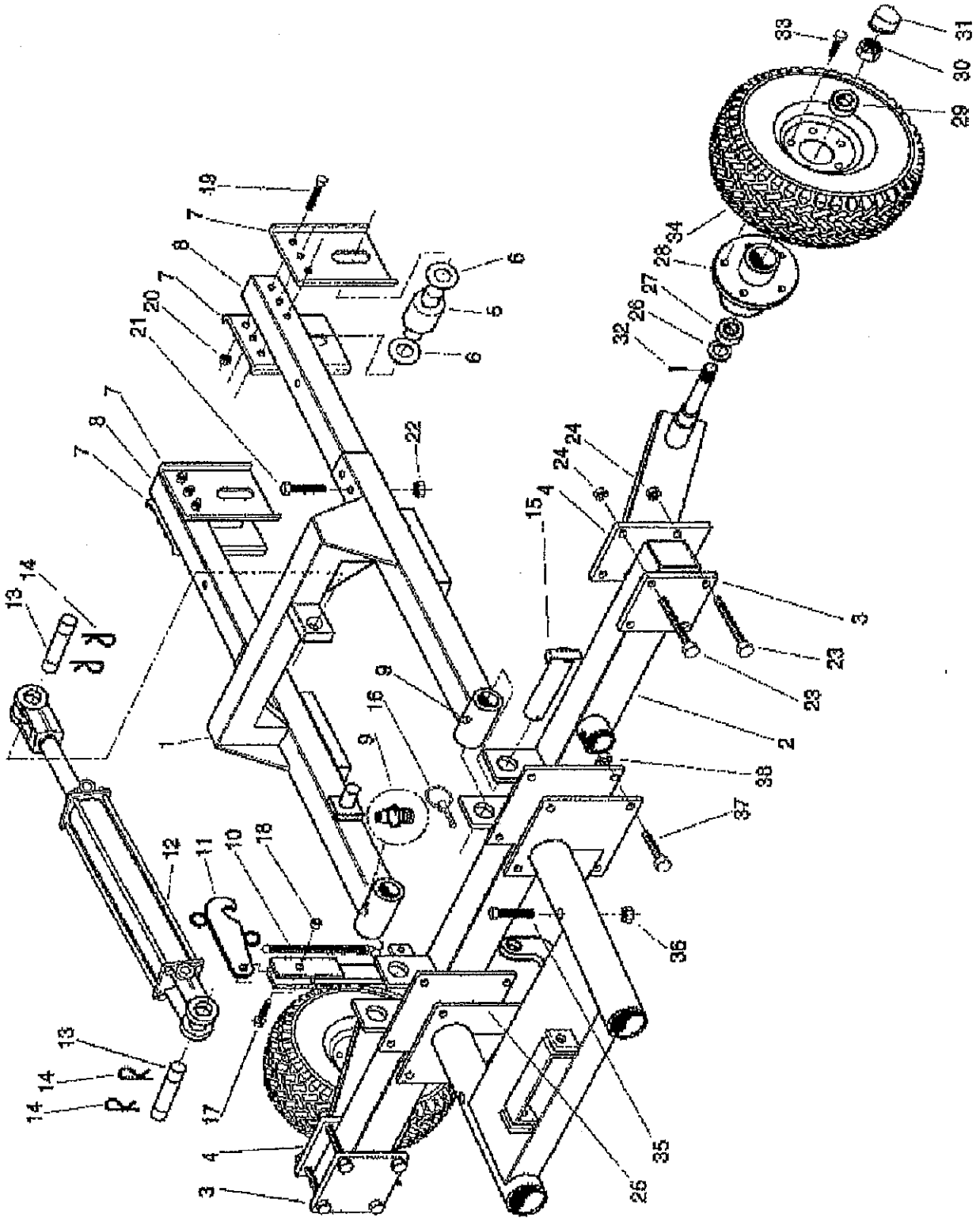


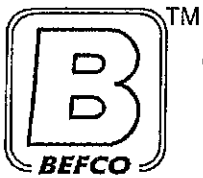
BEFCO Cyclone  
"Super Flex" Lift Section

ITEM#	PART#	DESCRIPTION	QTY.
1	0127050	RIGHT LIFT SIDE V.417-420	1
	0027050	LEFT LIFT SIDE V.417-420	1
2	0027147	SIDE EXTENSIONS	4
3	0027460	RIGHT FRONT HITCH V.417	1
	0027570	RIGHT FRONT HITCH V.420	1
	0127460	LEFT FRONT HITCH V.417	1
	0127570	LEFT FRONT HITCH V.420	1
4	0027470	RIGHT REAR HITCH V.417	1
	0027580	RIGHT REAR HITCH V.420	1
	0127470	LEFT REAR HITCH V.417	1
	0127580	LEFT REAR HITCH V.420	1
5	0082176	CYCLONE HITCH PLATE	8
6	0027476	CYCLONE HITCH PIN	4
7	0003056	FLAT WASHER 30MM	8
8	0030285	BOLT 14X100	8
9	0007224	NUT 14MM	8
10	0011292	BOLT 12X110	12
11	0008568	FLAT WASHER 16MM	8
12	0001065	GREASE FITTING	8
13	0030064	NUT 12MM	14
14	0091038	BOLT 16X50	6
15	0007716	BOLT 12X45	2
16	0030309	BOLT 16X70	2
17	0005581	NUT 16MM	14
18	0002367	SPRING WASHER	2
19	0002366	NUT 16MM	2
20	0003184	NUT 16MM	2
21	0027467	KICK-OUT BRACKET V.417	1
	0027577	KICK-OUT BRACKET V.420	1
22	0027517	SAFETY TIE ROD V.417	1
	0027608	SAFETY TIE ROD V.420	1
23	0006578	BOLT 16X45	8
24	0006635	GREASE FITTING	4



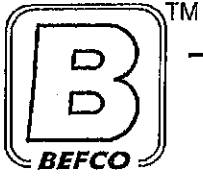
BEFCO Cyclone "Super Flex"  
Rear Section



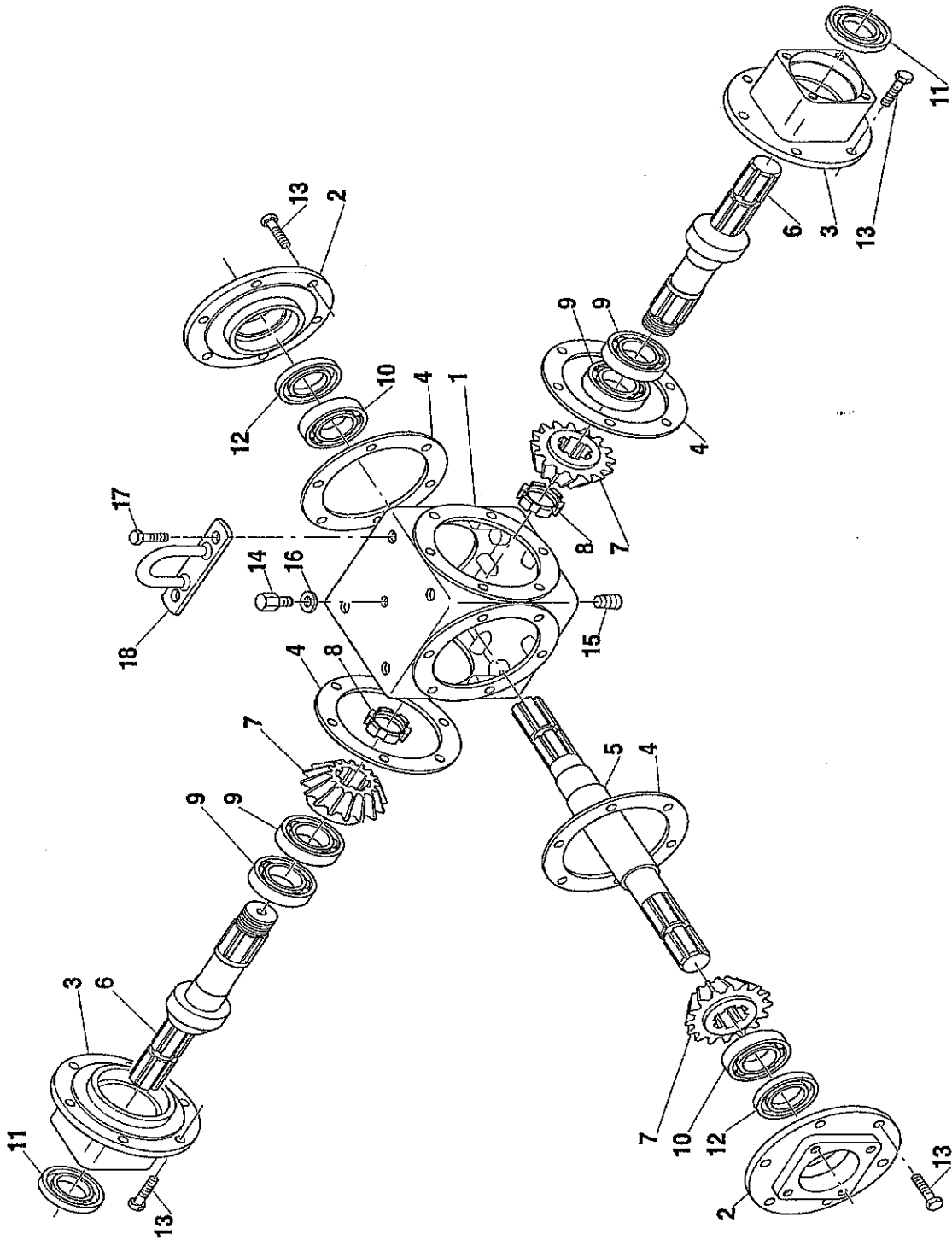


BEFCO Cyclone "Super Flex"  
Rear Section

ITEM#	PART#	DESCRIPTION	QTY.
1	0027130	REAR LIFT V.417-420	1
2	0027105	REAR COMPLETE FRAME V.417-420	1
3	0009777	CONNECTOR	2
4	0127330	RIGHT WHEEL SUPPORT	1
	0227330	LEFT WHEEL SUPPORT	1
5	0027476	CYCLONE HITCH PIN	2
6	0003056	FLAT WASHER 30MM	4
7	0082176	CYCLONE HITCH PLATE	4
8	0027144	REAR EXTENSIONS	2
9	0001065	GREASE FITTING	2
10	0008586	SPRING	1
11	0009721	TRANSPORT HOOK	1
12	503-034B	HYDRAULIC CYLINDER	1
13	501-171B	JACK FIXING PIN	2
14	501-172B	COTTER PIN	4
15	0058312	LIFT FIXING PIN	2
16	0018266	LYNCH PIN	2
17	0030309	BOLT 16X70	1
18	0005581	NUT 16MM	1
19	0011292	BOLT 12X110	6
20	0030064	NUT 12MM	6
21	0030285	BOLT 14X100	2
22	0007224	NUT 14MM	2
23	0006615	BOLT 14X140	8
24	0030358	NUT 14MM	8
25	0027090	REAR HITCH V.417-420	1
26	503-480B	OIL SEAL TCM 15262 VH	2
27	503-481B	BEARING LM 48548/10	2
28	503-487B	WHEEL HUB	2
29	503-482B	BEARING LM 67048/10	2
30	503-484B	NUT	2
31	170-8013	BEARING BUDDY	2
	170-8014	BEARIGN BUDDY BRA	2
32	503-485B	COTTER PIN	2
33	503-486B	BOLT	12
34	170-8006	WHEEL	2
35	0023574	BOLT 16X120	2
36	0002370	NUT 16MM	2
37	0064377	BOLT 18X45	8
38	0017506	NUT 18MM	8



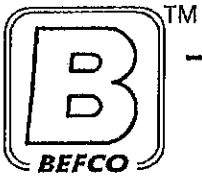
BEFCO Cyclone  
"Super Flex" Gear Box



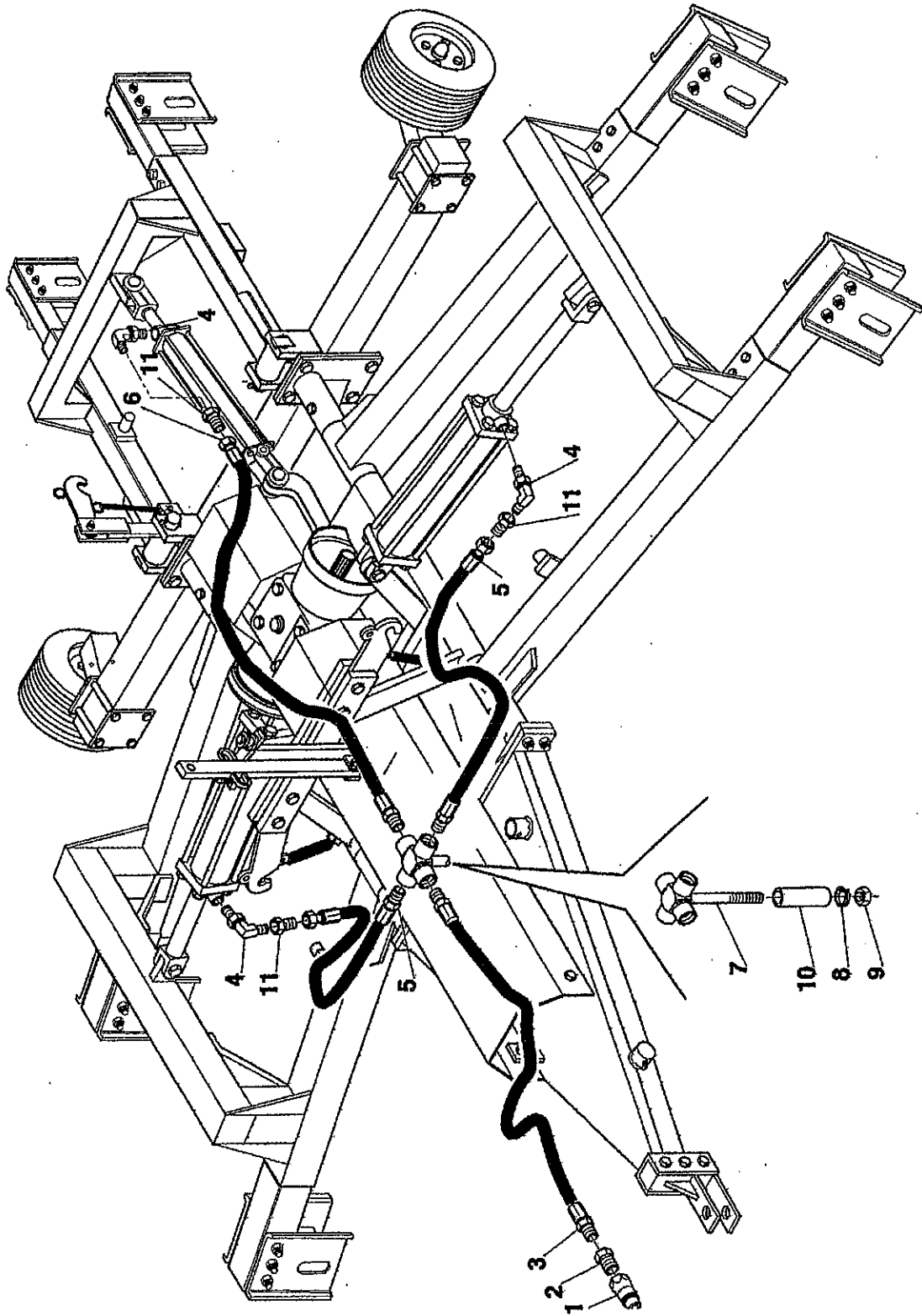


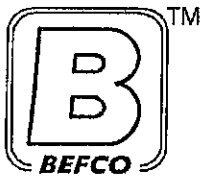
BEFCO Cyclone  
"Super Flex" Gear Box

ITEM#	PART#	DESCRIPTION	QTY.
1	0009970	GEARBOX	1
2	0009971	FRONT COVER	2
3	0009972	LATERAL SUPPORT	2
4	0030193	GASKET	
	0130193	GASKET	
5	0009975	INPUT SHAFT	1
6	0009976	INPUT SHAFT	2
7	0009973	RING GEAR	3
8	0037098	SAFETY NUT 35MMX1,5	2
9	0030201	BEARING 30208	4
10	0007172	BEARING 30207	2
11	0007094	OIL SEAL 52.85.10	2
12	0009974	OIL SEAL 35.55.10	2
13	0001241	BOLT TE 10X25	24
14	0001107	BREATHER CAP	1
15	0053446	CAP	1
16	0006691	GASKET	2
17	0003037	BOLT 12X25	2
18	0023973	LIFTING HITCH(OPTIONAL)	1
	0500617	GEARBOX	



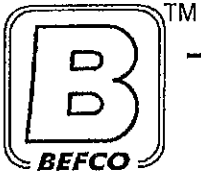
**BEFCO Cyclone  
"Super Flex" Hydraulic Hoses**



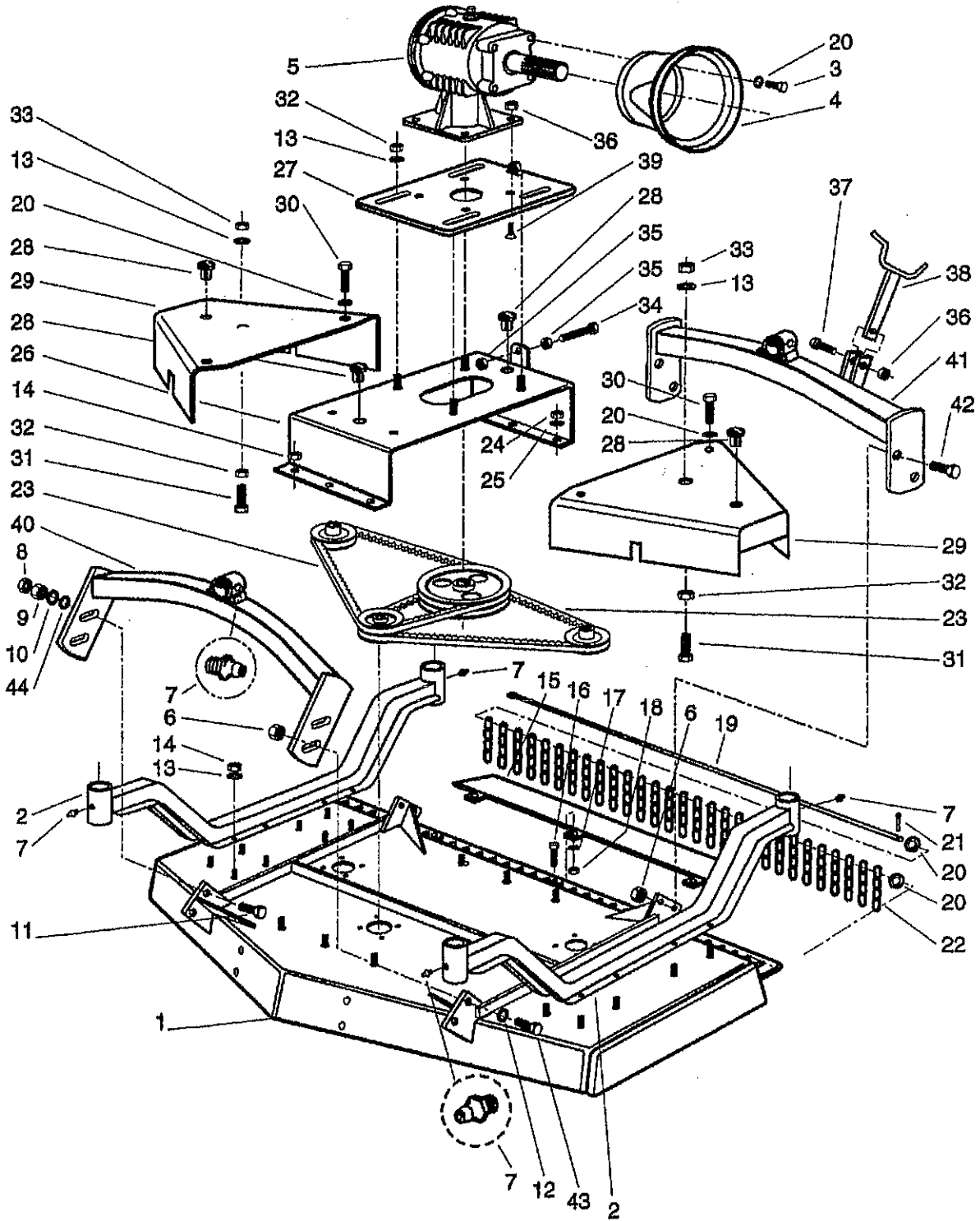


**BEFCO Cyclone  
"Super-Flex" Hydraulic Hoses**

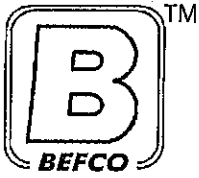
ITEMS#	PARTS#	DESCRIPTION	QTY.
1	502-170B	QUICKCONNECTOR	1
2	502-169B	CONNECTOR	1
3	502-166B	FRONT TUBE	1
4	502-163B	90° CONNECTION	3
5	502-168B	LATERAL TUBE	2
6	503-477B	REAR TUBE	1
7	502-165B	CENTRAL CONNECTION	1
8	0001077	SPRING WASHER D.12	1
9	0003038	NUT 12MM	1
10	0021285	SPACER	1
11	502-164B	NIPPLE 1/16"	3



BEFCO Cyclone  
"Super Flex" Side Decks





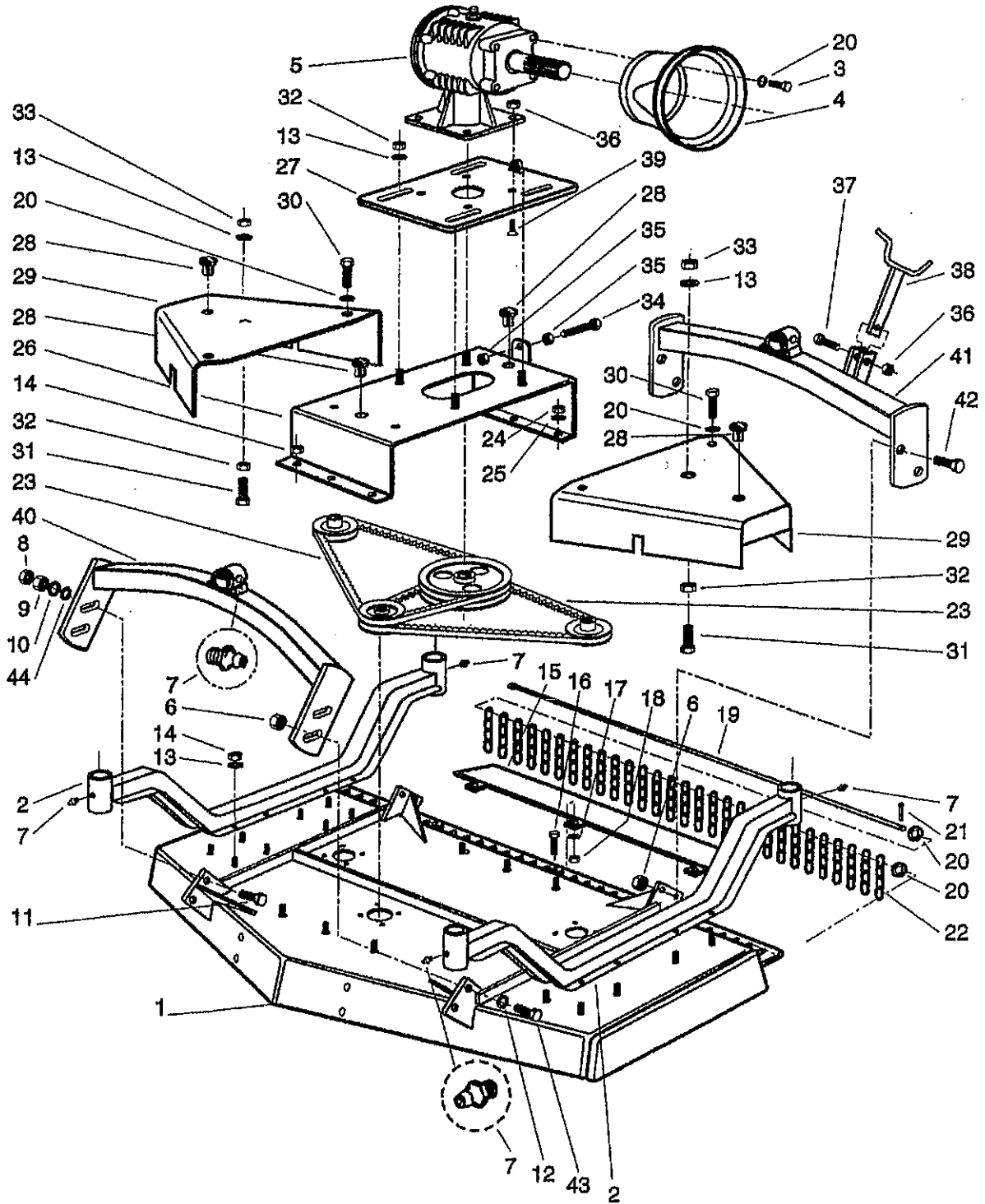


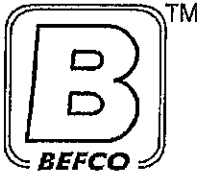
BEFCO Cyclone  
"Super Flex" Side Decks

ITEM#	PART#	DESCRIPTION	QTY.
1	0306900	FRAME V.417	2
	0406900	FRAME V.420	2
2	0027425	WHEEL ARM V.417	4
	0027535	WHEEL ARM V.420	4
3	0006349	BOLT 10X20	8
4	0008663	SHAFT PROTECTION	2
5	0500641	COMPLETE GEARBOX	2
6	0005581	NUT 16MM	14
7	0001065	GREASE FITTING	12
8	0003124	NUT 16MM	2
9	0002366	NUT 16MM	2
10	0002367	SPRING WASHER 16MM	2
11	0030309	BOLT 16X70	2
12	0008568	FLAT WASHER 16MM	8
13	0030157	FLAT WASHER 10MM	44
14	0030156	NUT 10MM	46
15	0308420	REAR EXTENSION V.417	2
	0408420	REAR EXTENSION V.420	2
16	0015012	BOLT 8X20	6
17	0003144	SPRING WASHER 8MM	6
18	0001806	NUT 8MM	6
19	0306762	CHAIN ROD V.417	2
	0406762	CHAIN ROD V.420	2
20	0002034	FLAT WASHER 10MM	30
21	0044156	COTTER PIN 4MMX25MM	4
22	0006764	CHAIN	
23	0006848	BELT 5VX 850	4
	0006694	BELT 5VX 1000	4
24	0001279	NUT 10MM	6
25	0001280	SPRING WASHER 10MM	6



BEFCO Cyclone  
"Super Flex" Side Decks



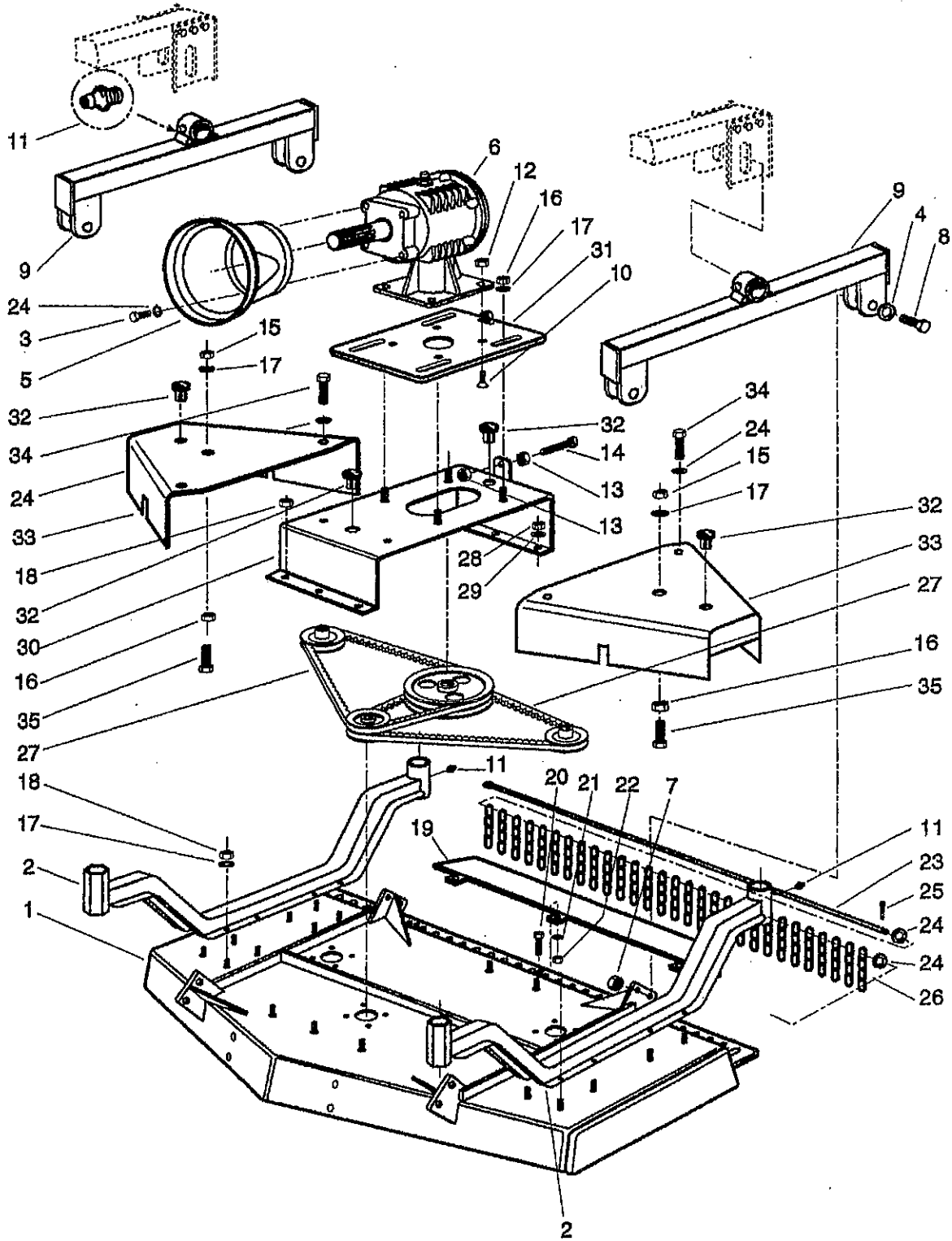


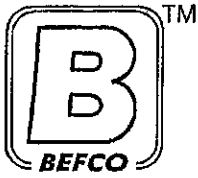
BEFCO Cyclone  
"Super Flex" Side Decks

ITEM#	PART#	DESCRIPTION	QTY.
26	0006913	CENTRAL PLATE V.417	2
	0006814	CENTRAL PLATE V.420	2
27	0006541	GEARBOX SUPPORT PLATE	2
28	0006647	CAP	8
29	0306989	BELT PROTECTION V.417	4
	0406989	BELT PROTECTION V.420	4
30	0033176	BOLT 10X25	8
31	0006943	BOLT 10X120	4
32	0014106	NUT 10MM	12
33	0015237	NUT 10MM	4
34	0006547	BOLT 12X100	2
35	0001106	NUT 12MM	4
36	0030064	NUT 12MM	10
37	0007716	BOLT 12X45	2
38	0027467	CYCLONE KICK-OUT BRACKET V.417	2
	0027577	CYCLONE KICK-OUT BRACKET V.420	2
39	0074183	BOLT TSPEI 12X40	8
40	0027460	RIGHT FRONT HITCH V.417	1
	0127460	LEFT FRONT HITCH V.417	1
	0027570	RIGHT FRONT HITCH V.420	1
	0127570	LEFT FRONT HITCH V.420	1
41	0027470	RIGHT REAR HITCH V.417	1
	0127470	LEFT REAR HITCH V.417	1
	0027580	RIGHT REAR HITCH V.420	1
	0127580	LEFT REAR HITCH V.420	1
42	0006578	BOLT 16X45	8
43	0091038	BOLT 16X50	6



BEFCO Cyclone  
 "Super Flex" Rear Deck



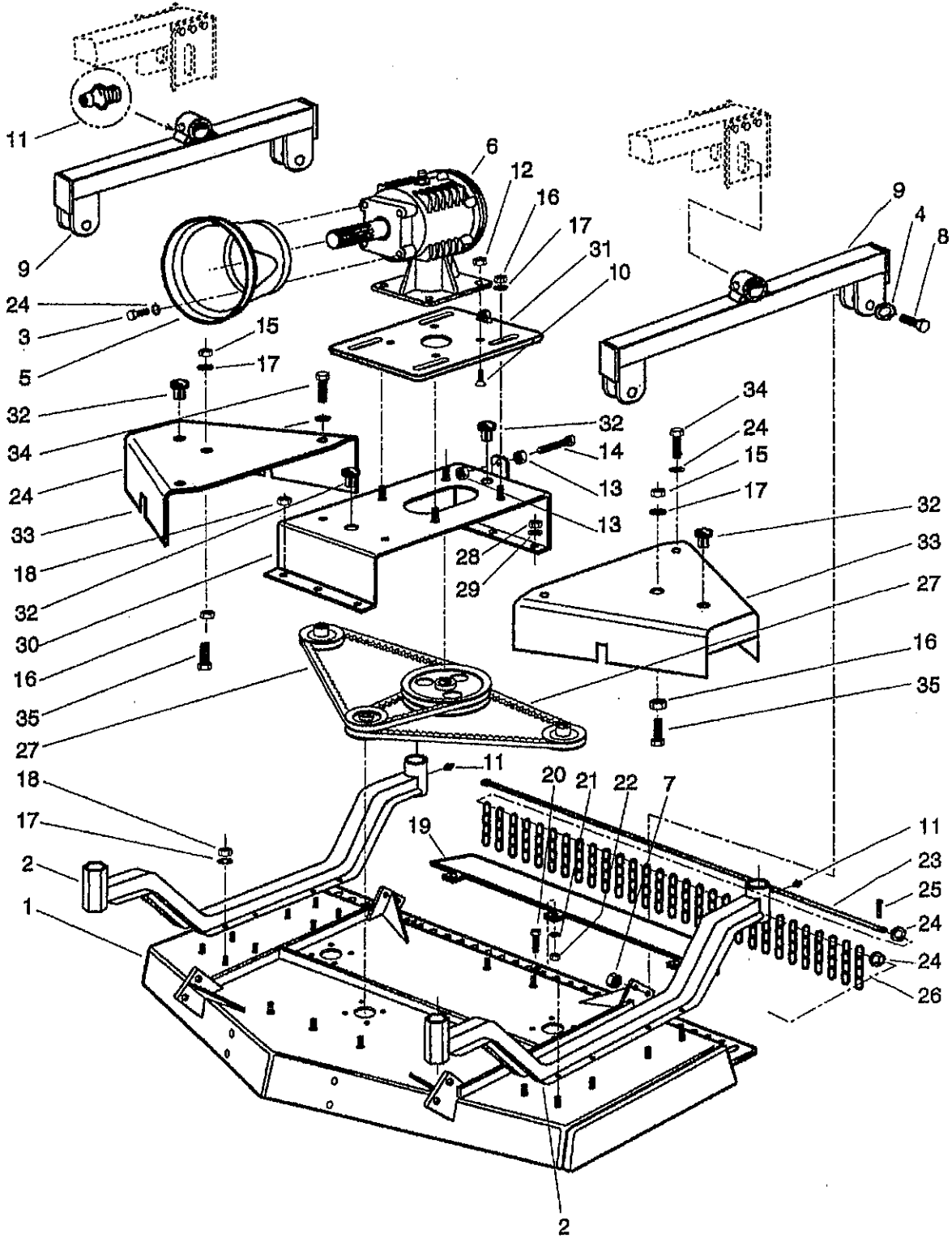


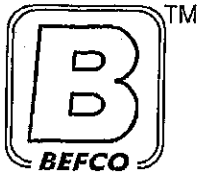
BEFCO Cyclone  
"Super Flex" Rear Deck

ITEM#	PARTS#	DESCRIPTION	QTY.
1	0306900	FRAME V.417	1
	0406900	FRAME V.420	1
2	0027436	WHEEL ARM V.417	2
	0027546	WHEEL ARM V.420	2
3	0006349	BOLT 10X20	8
4	0008568	FLAT WASHER 16MM (V.417 ONLY)	8
5	0008663	SHAFT PROTECTION	1
6	0500641	COMPLETE GEARBOX	1
7	0005581	NUT 16MM V.417	8
	0005581	NUT 16MM V.420	4
8	0006578	BOLT 16X45 V.417	8
	0006577	BOLT 16X60 V.420	4
9	0027480	RIGHT HITCH V.417	1
	0127480	LEFT HITCH V.417	1
	0027590	RIGHT HITCH V.420	1
	0127590	LEFT HITCH V.420	1
10	0074183	BOLT TSPEI 12X40	4
11	0001065	GREASE FITTING	4
12	0030064	NUT 12MM	4
13	0001106	NUT 12MM	2
14	0006547	BOLT 12X100	1
15	0015237	NUT 10	2
16	0014106	NUT 10	6
17	0030157	FLAT WASHER 10MM	22
18	0030156	NUT 10MM	23
19	0308420	REAR EXTENSION V.417	1
	0408420	REAR EXTENSION V.420	1
20	0015012	BOLT 8X20	3



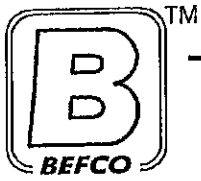
BEFCO Cyclone  
"Super Flex" Rear Deck



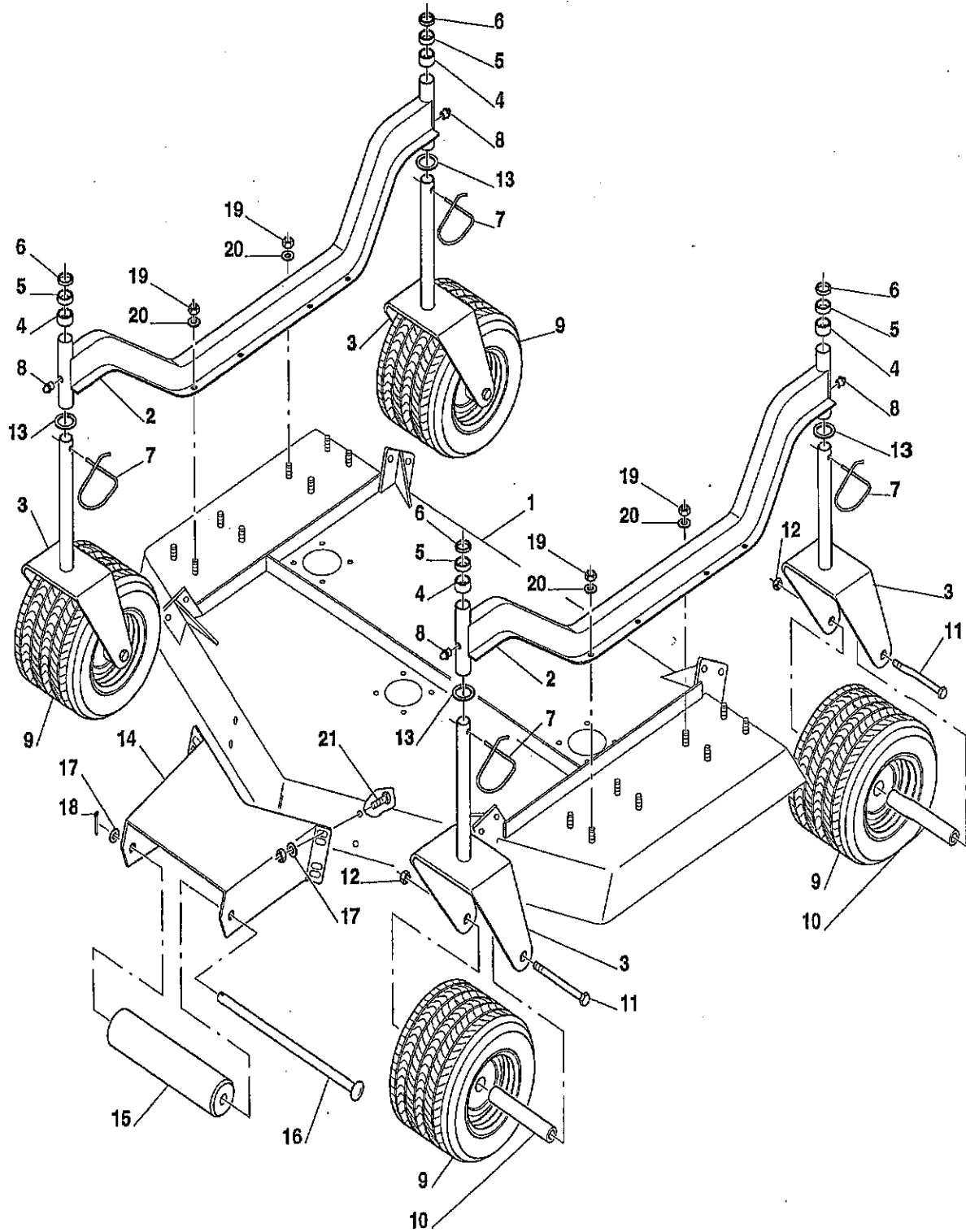


BEFCO Cyclone  
"Super Flex" Rear Deck

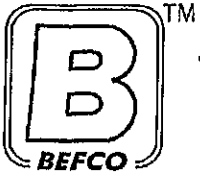
ITEM#	PART#	DESCRIPTION	QTY.
21	0003144	SPRING WASHER 8MM	3
22	0001806	NUT 8MM	3
23	0306762	CHAIN ROD V.417	1
	0406762	CHAIN ROD V.420	1
24	0002034	FLAT WASHER 10MM	15
25	0044156	COTTER PIN 4MMX25MM	2
26	0006764	CHAIN V.417	61
	0006764	CHAIN V.420	71
27	0006848B	BELT 5VX 850 V.417	2
	0006694B	BELT 5VX 1000 V.420	2
28	0001279	NUT 10MM	3
29	0001280	SPRING WASHER 10MM	3
30	0006913	CENTRAL PLATE V.417	1
	0006814	CENTRAL PLATE V.420	1
31	0006541	GEARBOX SUPPORT PLATE	1
32	0006647	CAP	4
33	0306989	BELT SHIELD V.417	2
	0406989	BELT SHIELD V.420	2
34	0033176	BOLT 10X25	4
35	0006943	BOLT 10X120	2



**BEFCO Cyclone "Super Flex"  
Wheel Arms**

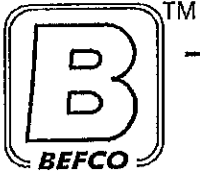




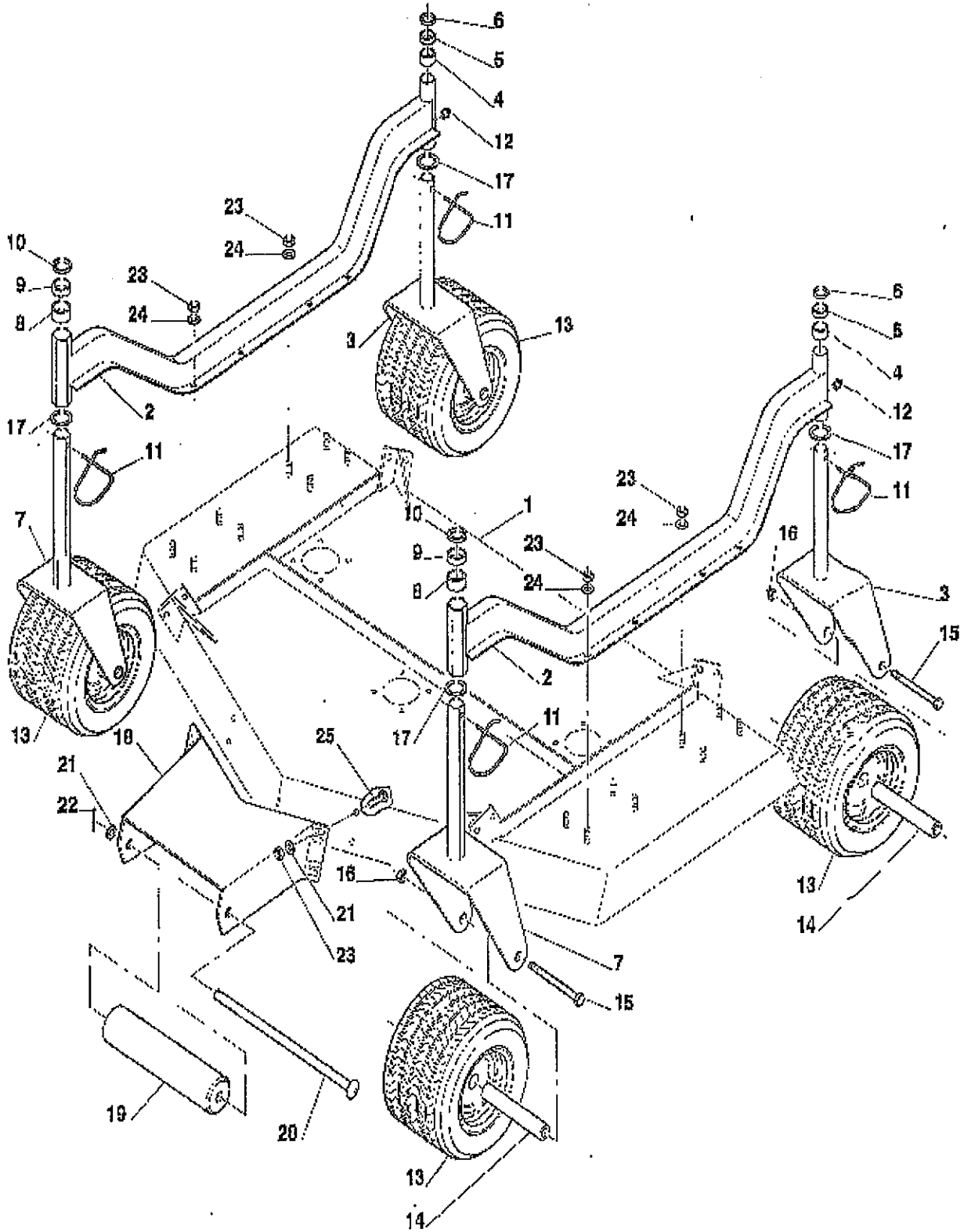


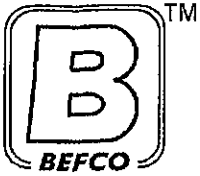
BEFCO Cyclone "Super Flex"  
Wheel Arms

ITEM#	PART#	DESCRIPTION	QTY.
1	0306900	FRAME V.417	2
	0406900	FRAME V.420	2
2	0027425	WHEELARM V.417	4
	0027535	WHEELARM V.420	4
3	0067371	WHEEL YOKE	8
4	0067311	SPACER 1/4"	20
5	0044130	SPACER 1/2"	10
6	0044129	SPACER 1"	30
7	0008783	SPACER 1"	8
8	0001065	COTTER PIN	8
9	0084673	GREASE FITTING	8
10	0067377	AIR TIRE	8
11	0023911	INNER SPACER	8
12	0005507	BOLT 20X230	8
13	0005524	NUT 20MM	8
14	0009622	FLAT WASHER 33MM	2
15	0009622	ROLLER SUPPORT	2
16	0067358	FRONT ROLLER	2
17	0067363	ROLLER PIN	2
18	0002034	ROLLER PIN	10
19	0044156	FLAT WASHER 10MM	2
20	0030156	COTTER PIN 4MMX25MM	40
21	0030157	NUT 10MM	32
	0006349	FLAT WASHER 10MM	8
		BOLT 10X20	



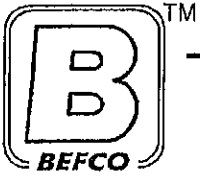
**BEFCO Cyclone  
"Super-Flex" Wheel Arms**



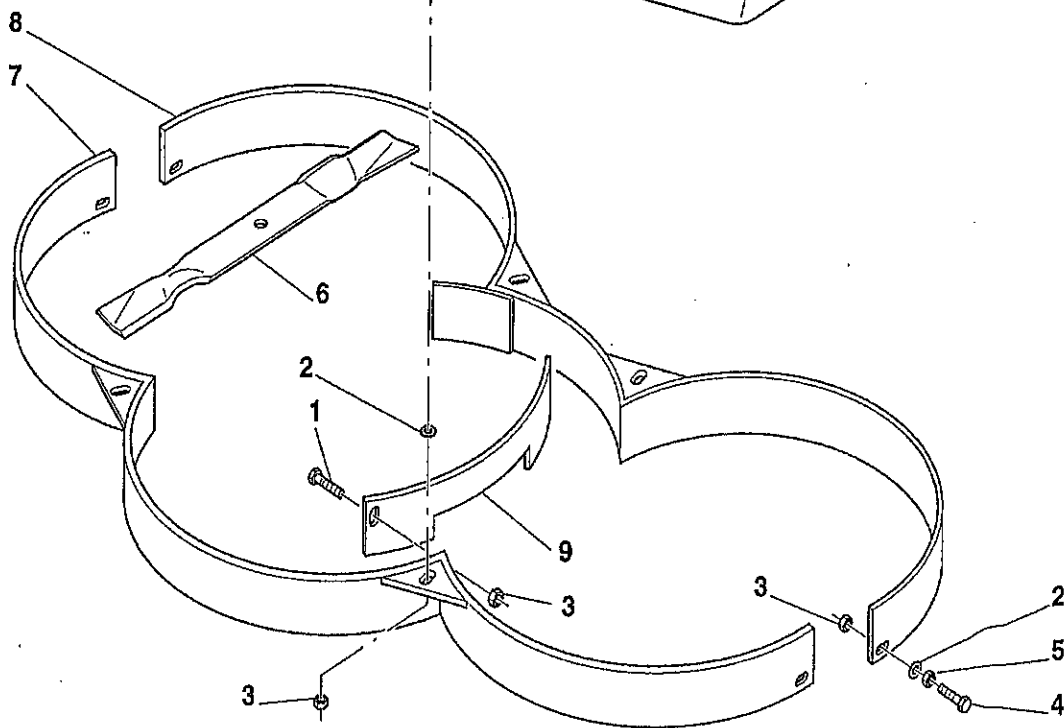
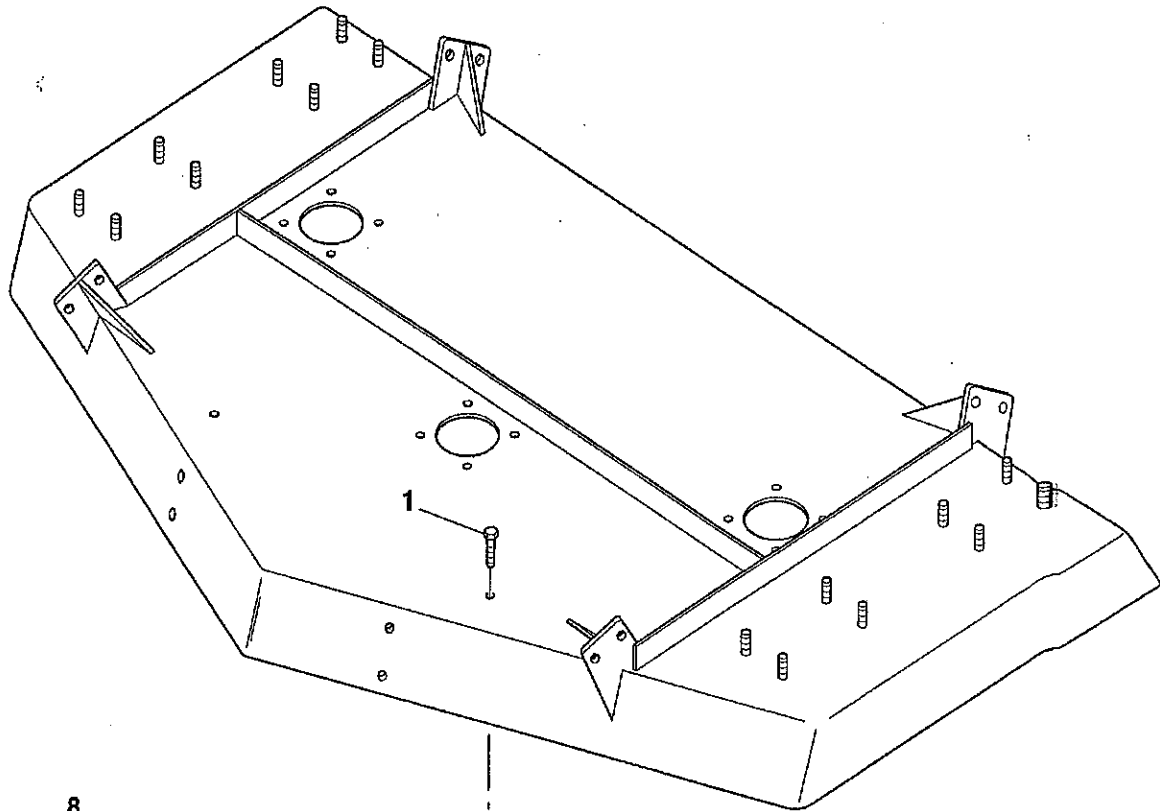


**BEFCO Cyclone  
"Super-Flex" Wheel arms**

ITEM#	PART#	DESCRIPTION	QTY.
1	0306900	FRAME V.417	1
	0406900	FRAME V.420	1
2	0027436	WHEEL ARM V.417	2
	0027546	WHEEL ARM V.420	2
3	0067371	WHEEL YOKE	2
4	0067311	SPACER 1"	6
5	0044130	SPACER 1/2"	2
6	0044129	SPACER 1/4"	4
7	0027451	WHEEL YOKE	2
8	0058555	SPACER 1"	6
9	0058556	SPACER 1/2"	2
10	0058557	SPACER 1/4"	4
11	0008783	COTTER PIN	4
12	0001065	GREASE FITTING	2
13	0084673	AIR TIRE	4
14	0067377	INNER SPACER	4
15	0023911	BOLT 20X230	4
16	0005507	NUT 20	4
17	0005524	FLAT WASHER 33	4
18	0009622	ROLLER SUPPORT	1
19	0067358	FRONT ROLLER	1
20	0067363	ROLLER PIN	1
21	0002034	FLAT WASHER 10	5
22	0044156	COTTER PIN 4X25	1
23	0030156	NUT 10	20
24	0030157	FLAT WASHER 10	16
25	0006349	BOLT 10X20	4



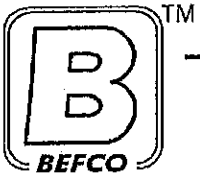
**BEFCO Cyclone "Super Flex"  
Mulching Kit**



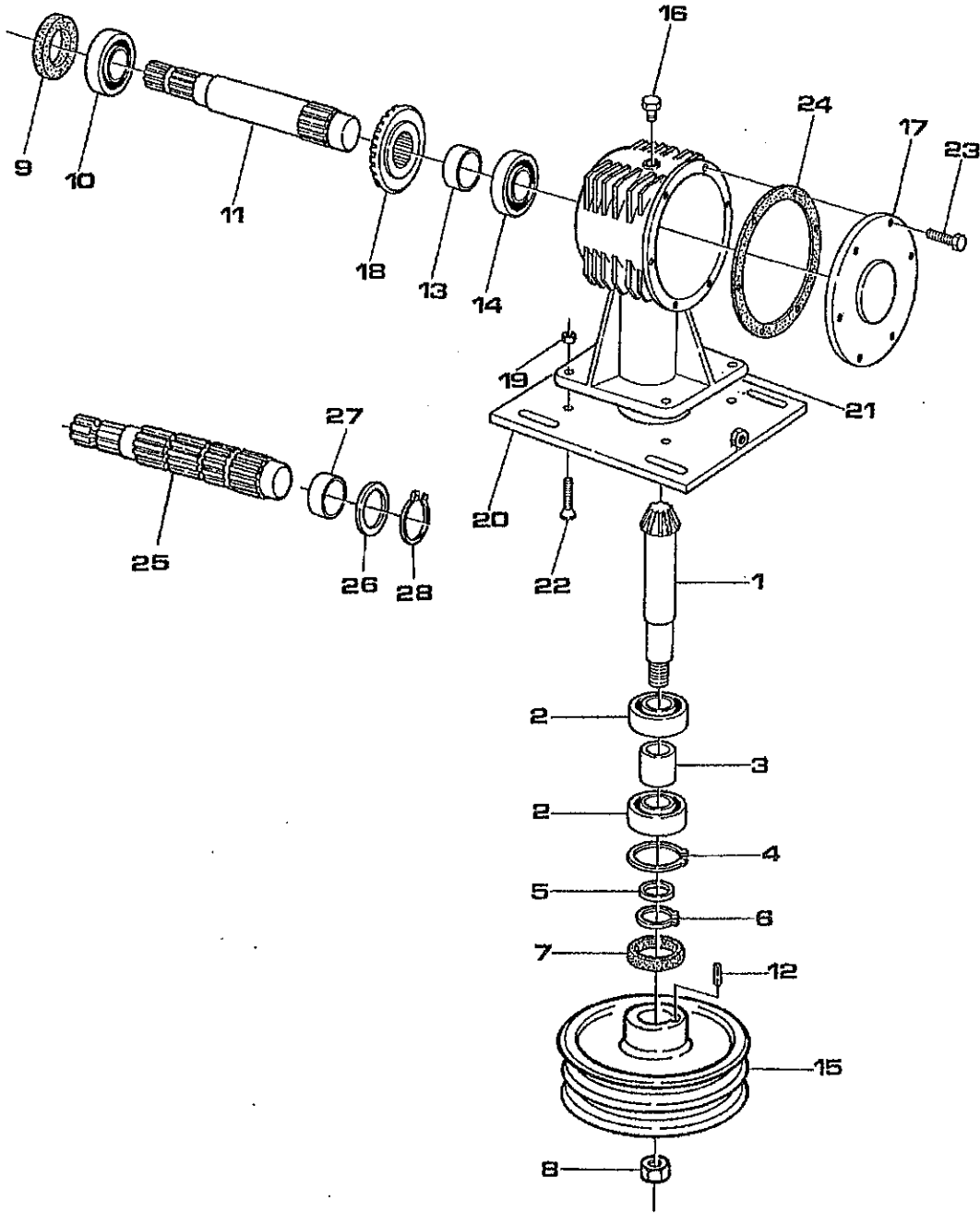


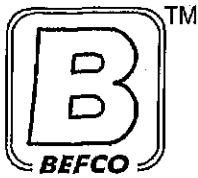
**BEFCO Cyclone "Super Flex"  
Mulching Kit**

<b>ITEM#</b>	<b>PART#</b>	<b>DESCRIPTION</b>	<b>QTY.</b>
1	0006349	BOLT 10X20	8
2	0002034	FLAT WASHER 10	6
3	0030156	NUT 10	10
4	0091281	BOLT 10X35	2
5	0003038	NUT 12	2
6	0006845M	MULCHING BLADE V.180	3
	0006690M	MULCHING BLADE V.210	3
7	0006784	BAFFLING V.180	1
	0006801	BAFFLING V.210	1
8	0006778	BAFFLING V.180	1
	0006806	BAFFLING V.210	1
9	0006780	GUARD SUPPORT	2



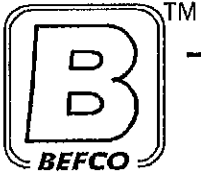
BEFCO Cyclone "Super Flex"  
Side Deck Gear Box



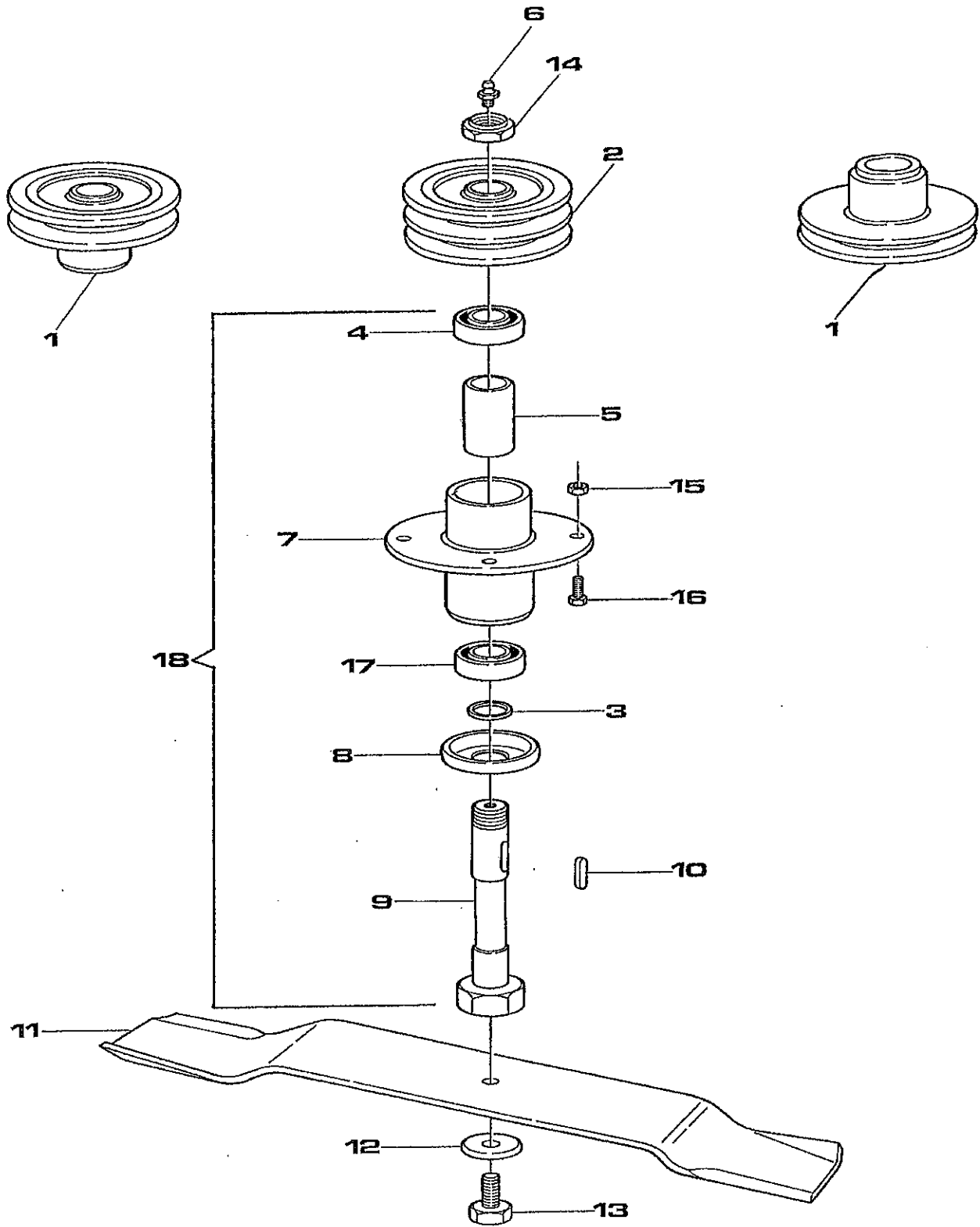


BEFCO Cyclone "Super Flex"  
Side Deck Gear Box

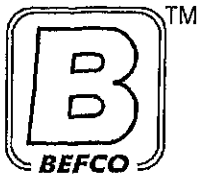
ITEM#	PART#	DESCRIPTION	QTY.
1	0058479	PINION GEAR	1
2	0012149	BEARING 6208	2
3	0006687	SPACER	1
4	0001154	INNER SNAP RING 80	1
5	0006685	SPACER WASHER	1
6	0008138	OUTER SNAP RING 40MM	1
7	0006684	OIL SEAL 40.80.10	1
8	0006698	NUT 25	1
9	0002295	OIL SEAL 35.62.10	1
10	0025332	BEARING 6207	1
11	0058464	INPUT SHAFT	1
12	0006689	KEY 7X8X30	1
13	0006661	REAR SPACER	1
14	0058472	BEARING 30206	1
15	0006692	PULLEY SPB 250X2	1
16	0001107	BREATHER CAP	1
17	0006656	GEAR COVER	1
18	0058477	RING GEAR	1
19	0030064	NUT 12MM	4
20	0006541	GEARBOX SUPPORT PLATE	1
21	0006658	GEARBOX	1
22	0074183	BOLT TSPEI 12X40	4
23	0006349	BOLT 10X20	6
24	0030193	GASKET	-
	0130193	GASKET	-
25	0058466	INPUT SHAFT W/CCW ROTATION	1
26	0144233	SPACER WASHER	1
27	0006662	SPACER	1
28	0042122	OUTER SNAP RING 35MM	1
	0500642	GEARBOX W/CW ROTATION	
	500,643	GEARBOX W/CCW ROTATION	



BEFCO Cyclone "Super Flex"  
Rotor

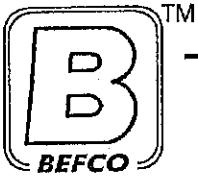




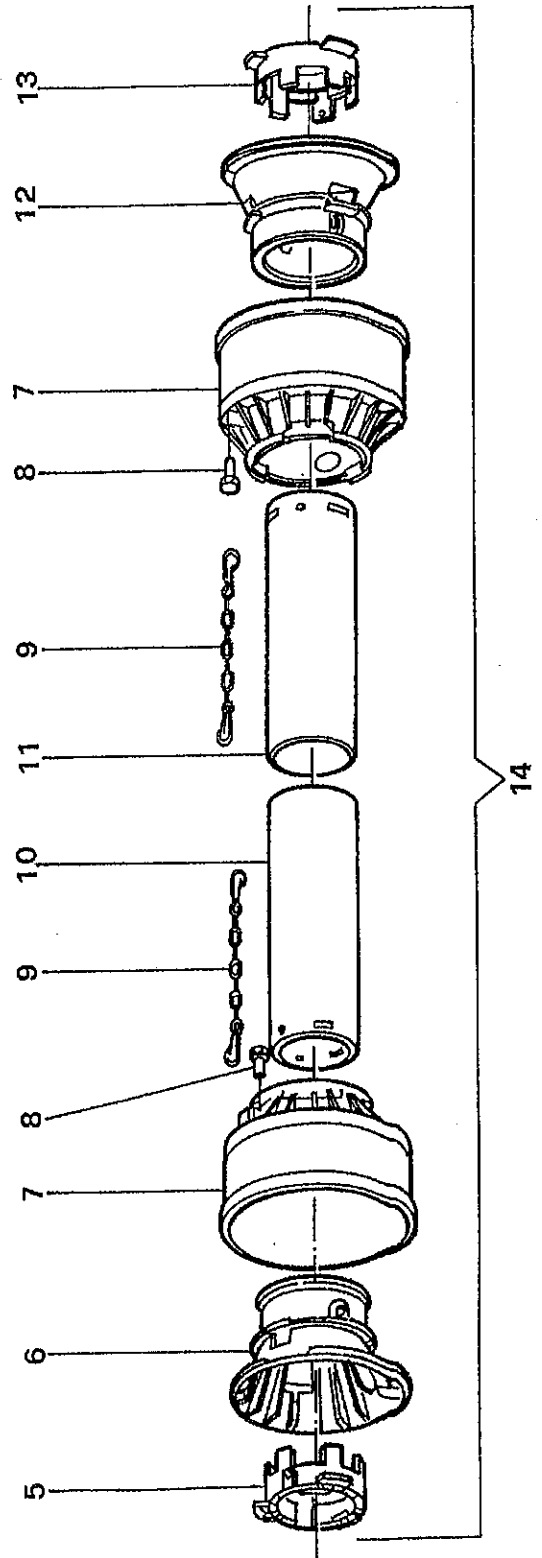
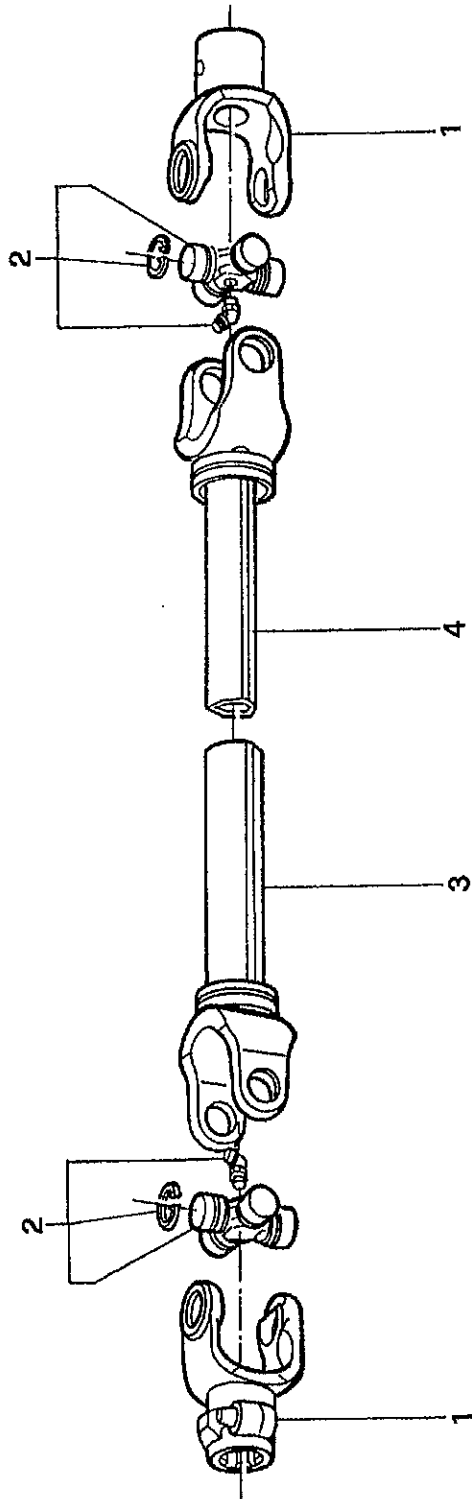


BEFCO Cyclone "Super Flex"  
Rotor

ITEM#	PART#	DESCRIPTION	QTY.
1	0006842	PULLEY SPB 160X1 V.180	2
	0006862	PULLEY SPB 190X1 V.210	2
2	0006841	PULLEY SPB 160X2 V.180	1
	0006861	PULLEY SPB 190X2 V.210	1
3	0006606	SPACER WASHER	3
4	0006634A	BEARING 6205-Z	3
5	0006640	SPACER	3
6	0029036	GREASE FITTING	3
7	0006648	ROTOR SUPPORT	3
8	0006636	COVER	3
9	0006649	BLADE HOLDER SHAFT	3
10	0006639	KEY 7X8X25	3
11	0006690	STANDARD BLADE V.210	3
	0006690M	MULCHING BLADE V.210	3
	0006690B	HIGHLIFT BLADE V.210	3
	0006690F	FLAT BLADE V.210	3
12	0008560	DISC SPRING	3
13	0008559	BLADE BOLT	3
14	0006698	NUT 25MM	3
15	0030156	NUT 10MM	12
16	0001008	BOLT 10X30	12
17	0006626A	BEARING 6205-ZZ	3
18	0006629C	ROTOR UNIT	



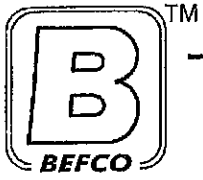
**BEFCO Cyclone  
"Super-Flex" PTO Side Deck 6 foot**



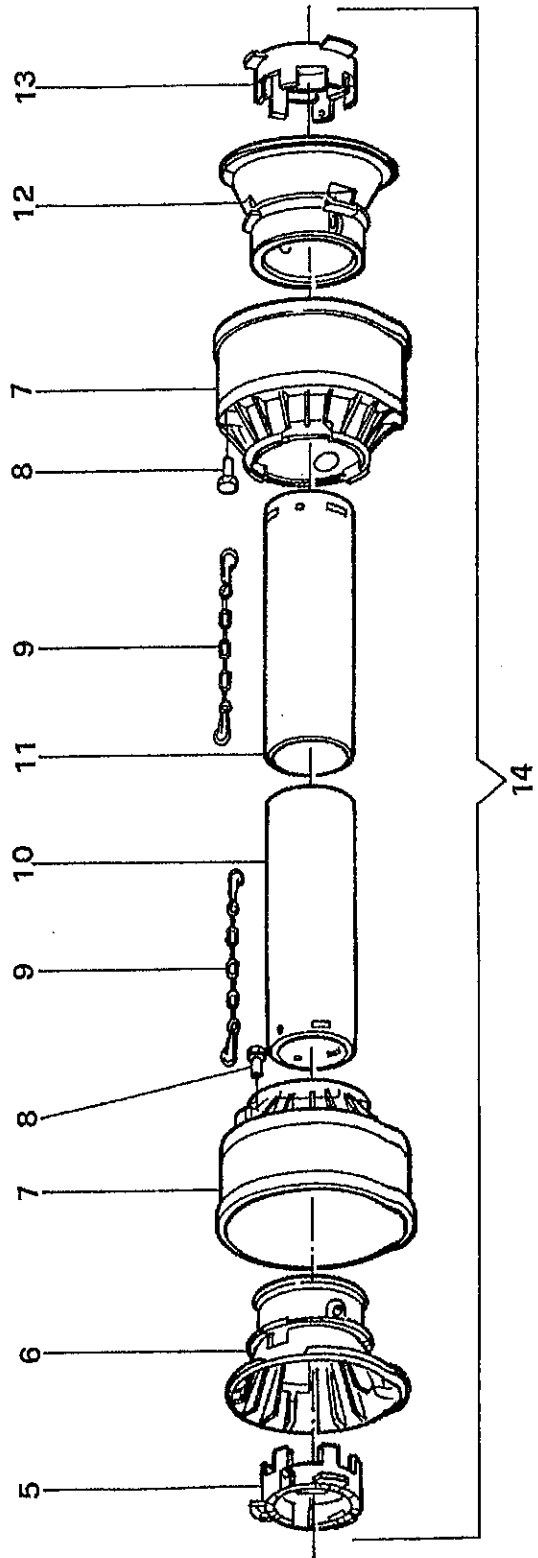
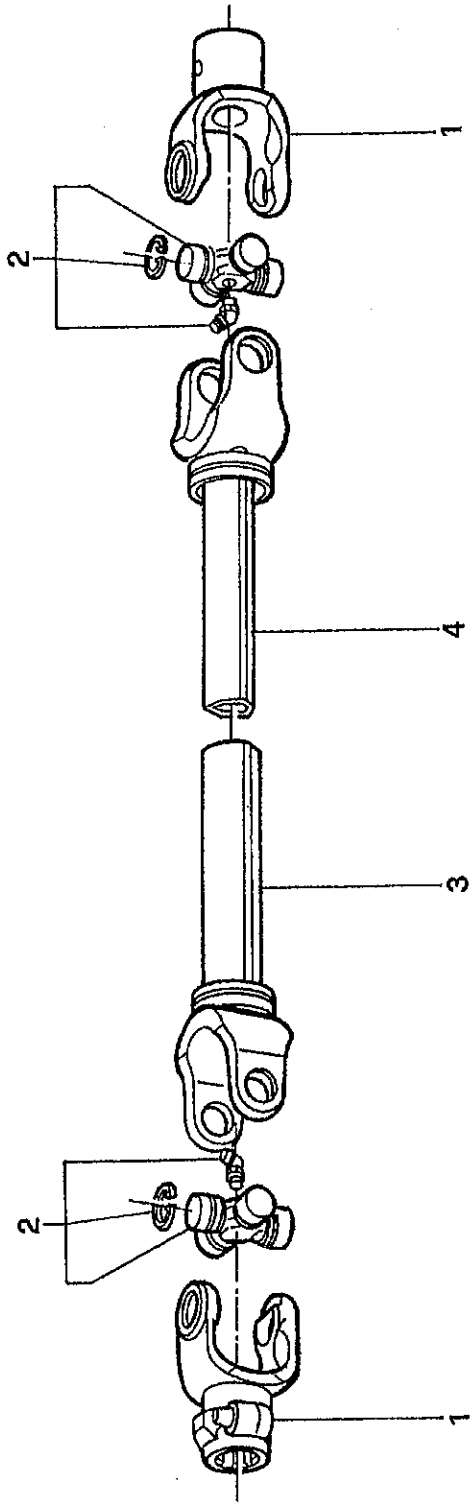


**BEFCO Cyclone  
"Super-Flex" PTO Side Deck 6 foot**

ITEM#	PART#	DESCRIPTION	QTY.
1	023001E	PTO YOKE	2
2	013130E	CROSS & BEARING	2
3	1943070C	OUTER TUBE	1
4	1953072C	INNER TUBE	1
5	1784210C	OUTER TUBE LOCKING RING	1
6	1784201C	OUTER TUBE RIGID CONE	1
7	1784203C	OUTER CONE	2
8	1784212C	PIN	2
9	016025E	CHAIN	2
10	1773068C	FEMALE TUBE SHIELD	1
11	1872068C	MALE TUBE SHIELD	1
12	1784202C	INNER TUBE RIGID CONE	1
13	1784211C	INNER TUBE LOCKING RING	1
14	9403468C	COMPLETE SHIELDING	1
	0500439	PTO SHAFT	



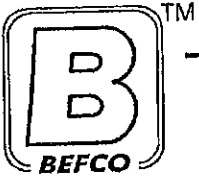
**BEFCO Cyclone  
"Super-Flex" PTO Side Deck 7 foot**



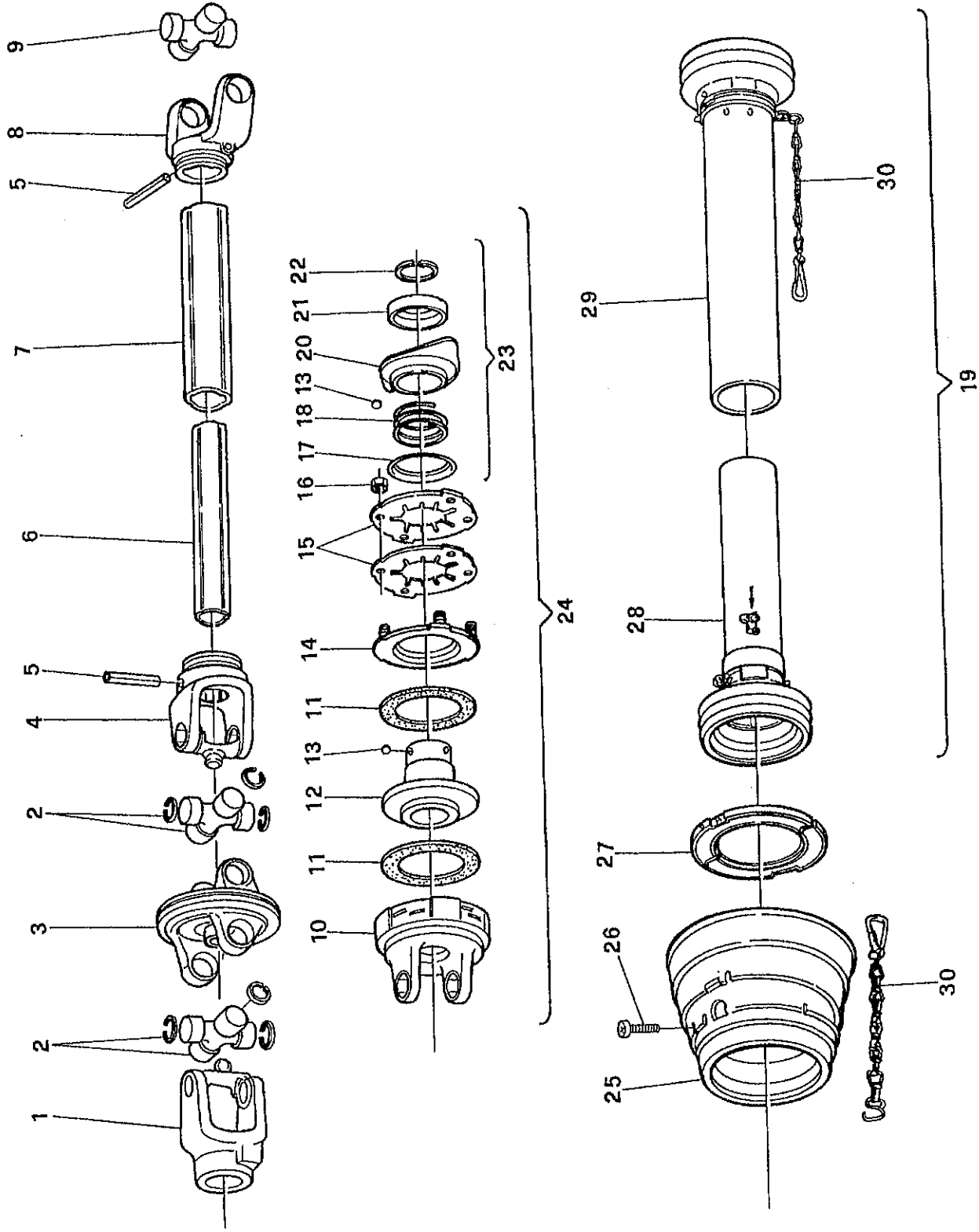


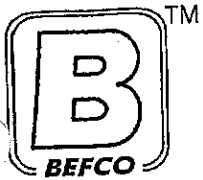
**BEFCO Cyclone  
"Super-Flex" PTO Side Deck 7 foot**

ITEM#	PART#	DESCRIPTION	QTY.
1	023001E	PTO YOKE	2
2	013130E	CROSS & BEARING	2
3	1943087C	OUTER TUBE	1
4	1953089C	INNER TUBE	1
5	1784210C	OUTER TUBE LOCKING RING	1
6	1784201C	OUTER TUBE RIGID CONE	1
7	1784205	OUTER CONE	2
8	1784212C	PIN	2
9	016025E	CHAIN	2
10	1773085C	FEMALE TUBE SHIELD	1
11	1872085C	MALE TUBE SHIELD	1
12	1784202C	INNER TUBE RIGID CONE	1
13	1784211C	INNER TUBE LOCKING RING	1
14	90SS4085C	COMPLETE SHIELDING	1
	0500465	PTO SHAFT	



BEFCO Cyclone "Super Flex"  
PTO - Walterscheid with Slipclutch





BEFCO Cyclone "Super Flex"  
PTO - Walterscheid with Slipclutch

ITEM#	PART#	DESCRIPTION	QTY.
1	341579W	PTO YOKE	1
2	342221W	CROSS & BEARING	2
3	365722W	DOUBLE YOKE	1
4	341586W	YOKE	1
5	020617W	ROLL PIN	1
6	095400W	INNER TUBE	1
7	096890W	OUTER TUBE	1
8	019519W	YOKE	1
9	312410W	CROSS & BEARING	1
10	321715W	CLUTCH HOUSING	1
11	168556W	FRICTION DISC	2
12	051551W	ROTOR	1
13	020692W	LOCK ROLLER	6
14	381495W	THRUST PLATE	1
15	043489W	DISC SPRING	2
16	381957W	NUT	4
17	047825W	BACK UP RING	1
18	045793W	SPRING	1
19	106724W	COMPLETE SHIELDING	1
20	045790W	BUSHING	1
21	338531W	BACK UP RING	1
22	304149W	SNAP RING	1
23	341953W	QUICK DISCONNECTING LOCK	1
24	321714W	COMPLETE SLIP CLUTCH	1
25	172717W	PROTECTION	1
26	365305W	BOLT	6
27	172715W	BEARING RING	1
28	183570W	INNER PROTECTION	1
29	368508W	OUTER PROTECTION	1
30	044321W	CHAIN	2
	0500036	PTO SHAFT	

C961-160B-.050-6/98

---

**BEFCO**

P.O. Box 6036  
Rocky Mount, NC 27802-6036  
Tel.: 252.977.9920 - Fax: 252.977.9718

